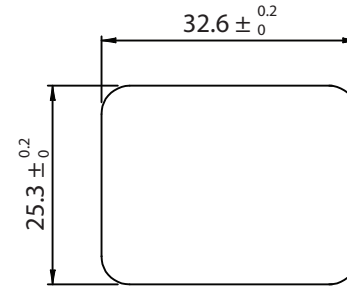
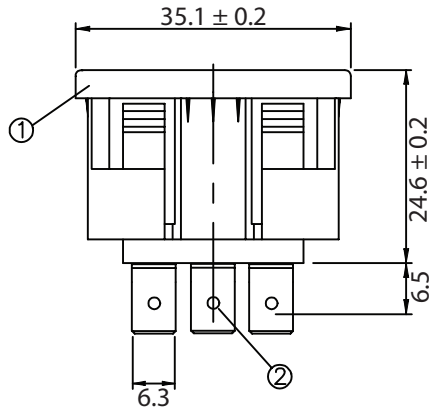
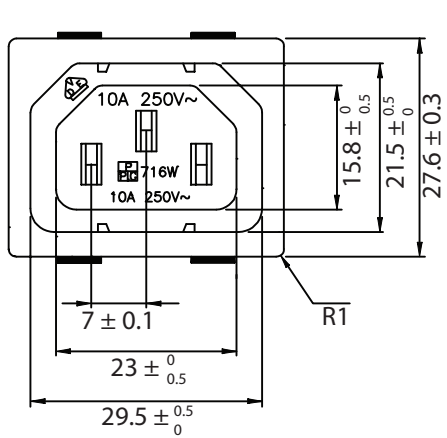
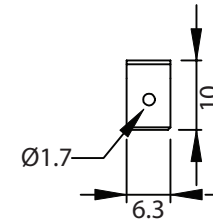
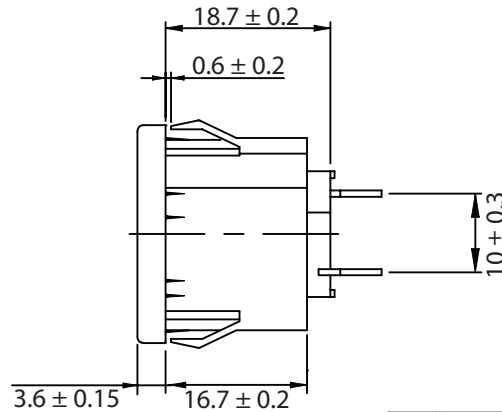
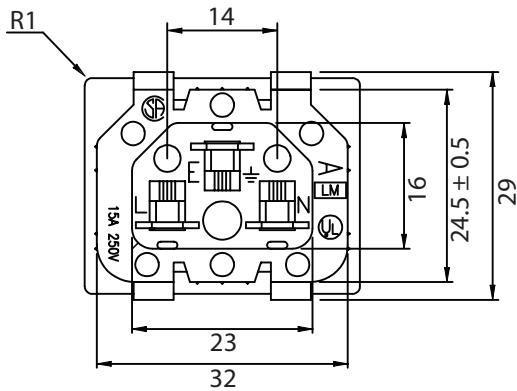


THESE DRAWINGS ARE THE PROPERTY OF QUALTEK ELECTRONICS AND NOT TO BE REPRODUCED FOR OR COMMUNICATED TO A THIRD PARTY WITHOUT THE EXPRESS WRITTEN PERMISSION OF AN OFFICER OF QUALTEK ELECTRONICS.

REVISION			
REV.	DESCRIPTION	DATE	APPROVED
B	RoHS Compliancy	06-01-06	DP



PANEL CUTOUT



**CONTROLLED**

NOTES:

MATERIAL:

HOUSING: THERMOPLASTIC  
TERMINAL: COPPER ALLOY

RATING:

UL, CSA: 15A 250V AC  
VDE: 10A 250V AC

INSULATION RESISTANCE: OVER 100M OHM 500V DC

DIELECTRIC STRENGTH: 2000V AC ONE MINUTE

APPROVALS: UL, CSA, VDE

PANEL THICKNESS: 0.8~1.5mm

RoHS COMPLIANT

2	Contact PIN Bronze Strip t=2mm Ni-Plated	3			
1	Body Insulator NYLON Black Color	1			
Dim range (mm)		Tolerance +/- (mm)		<b>Qualtek Electronics Corp.</b> <b>PPC DIVISION</b> Part Number: <b>716W-X2/03</b> <span style="border: 1px solid green; padding: 2px;">RoHS Compliant</span>	
0-1		0.15			
1-6		0.20		Description: <b>AC RECEPTACLE</b>	
6-18		0.30			
18-50		0.50		UNIT: mm	
50-120		0.70			
120-250		0.90		REV. B	
250-500		1.20			
Drawn / Date		Checked / Date		Approved / Date	
B.ZHANG 03-10-04		03-10-04		JJH / 03-10-04	